



Order #

# O. HENRY HOUSE

## COM IDENTIFICATION FORM

Designer Name

Purchase Order Number

Contact Person

Side Mark

Fabric / Leather Manufacturer

Fabric / Leather Style / Color

Trim Manufacturer

Trim Style / Color

Railroad  Topped  Same Fabric All Over? Yes  No

Please provide any additional application details

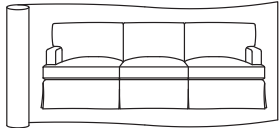
Is the fabric backed? Yes  No

If "No" and we determine that backing is required, may we back if for you and add the cost to your balance due? Yes  No

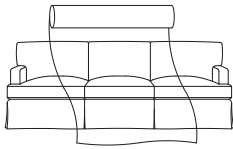
- Fabric backing (inc. Shipping & Handling) \$17/yd (\$150 minimum)
- Please add 5-7 business days for knit backing on standard orders.

*Fabric backing is necessary for most chenille to prevent shifting and rolling and any fabric that is loosely woven, sheer, has a lot of stretch or unravels easily. If a fabric is not backed but OHH determines it is necessary, we can have the fabric backed upon approval for a cost of \$17/yard net which includes shipping and handling. The minimum charge for backing is \$150. A sample of the fabric can be sent to OHH for review to determine if backing is necessary.*

**STAPLE SAMPLE**  
Face Side Out & In Direction To Be Applied



Railroad



Topped (Off The Bolt)